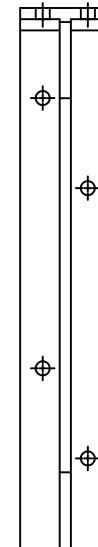
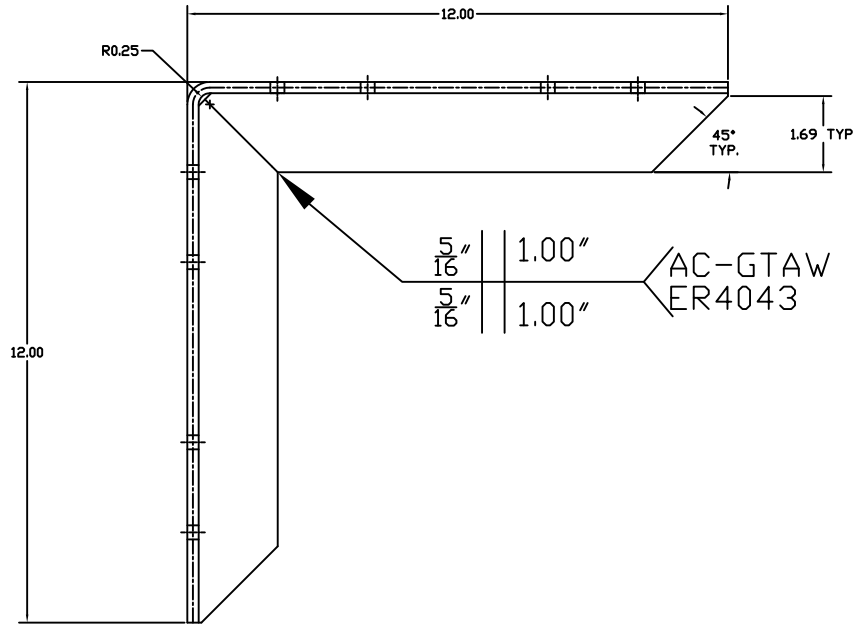
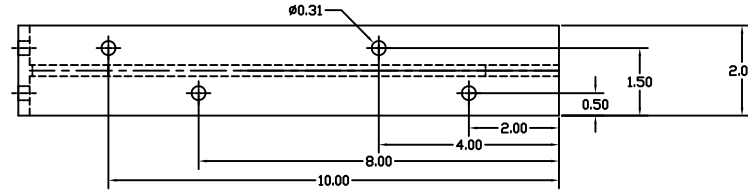


NOTES:  
 1) SURFACE FINISH CRITICAL

TOLERANCES UNLESS OTHERWISE SPECIFIED  
 X.X ±.03  
 X.XX ±.02  
 X.XXX ±.010

PART NO.	FINISH
1212-000	MILL
1212-P28	P/C CHROME
1212-1D	P/C BLACK
1212-E51	P/C WHITE



FOR REVIEW

CUSTOMER P/N (IF APPLICABLE) \_\_\_\_\_ REV. \_\_\_\_\_

THIS PRINT IS THE PROPERTY OF RPC AND ITS DUPLICATION, RETENTION OR TRANSMITTAL TO OTHERS IS PROHIBITED WITHOUT PRIOR CONSENT.



REV.	DESCRIPTION	BY	DATE
C	HOLE PATTERN CHG; WELD LGTH CHG; DEV. LGTH ADDED	RJW	09/19/16
B	RECOGNIZE T4 MAT'L; ADDED NOTE 1	MJS	11/24/15
A	ADDED WELD SYMBOL	EMW	11/3/15

MATERIAL	2.0 X 2.0 X 0.25 6063 ALUM. T4
SCALE (SIZE)	1:1
FILENAME	12X12 SHELF BRKT_B
CHKD BY	DATE
DRAWN BY	DATE
EMW	10/23/15

SHT NO.	1	OF	1
PART DESCRIPTION	12X12 SHELF BRKT		
PART NUMBER	AL-1212-001		
REV.	C		