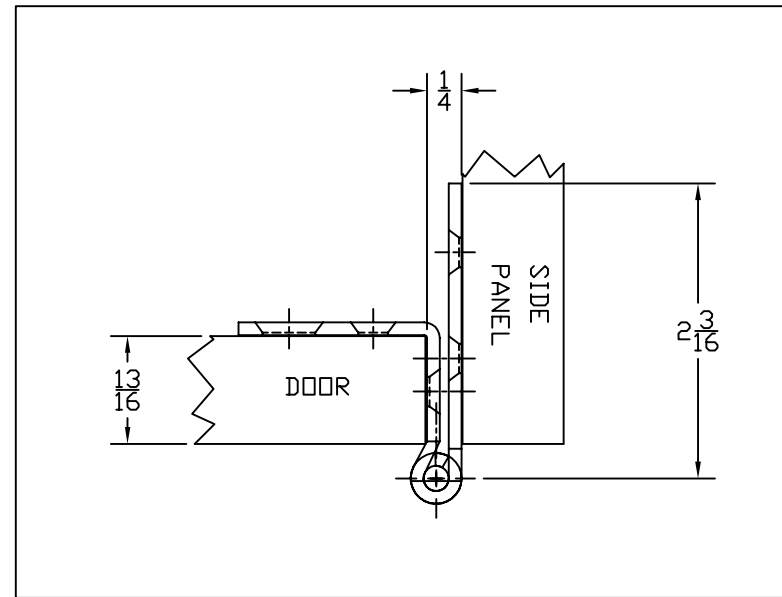
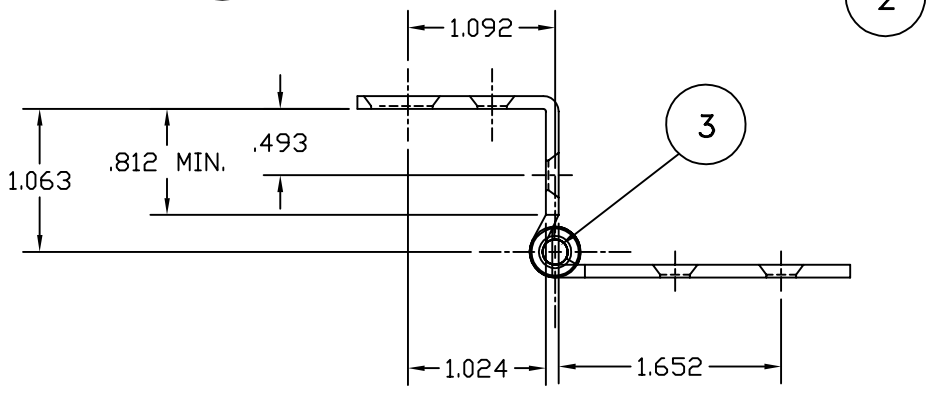


ITEM	QTY	BILL OF MATERIAL
1	1	WING, 2-PRONG
2	1	WING, 3-PRONG
3	1	PIN, KNURLED
4	2	TIP, MINARET

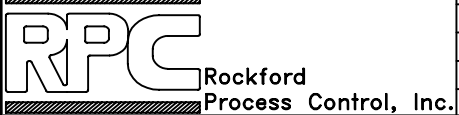
C'SINK FOR #8 FLATHEAD SCREW OR 5MM EURO SCREW (8)



APPLICATION DRAWING

CUSTOMER P/N (IF APPLICABLE)	REV.
------------------------------	------

THIS PRINT IS THE PROPERTY OF RPC AND ITS DUPLICATION, RETENTION OR TRANSMITTAL TO OTHERS IS PROHIBITED WITHOUT PRIOR CONSENT.



ECR#	REV.	DESCRIPTION	BY	DATE

MATERIAL	SEE B.O.M.	SCALE (SIZE)	1:1.5	SHT NO.	1	OF	1
FILENAME	M2107APP	CHKD BY	DATE	PART DESCRIPTION			
DRAWN BY	MAB	DATE	4/15/05	HINGE, FLUSH			
PART NUMBER		M2107-APP		REV.			