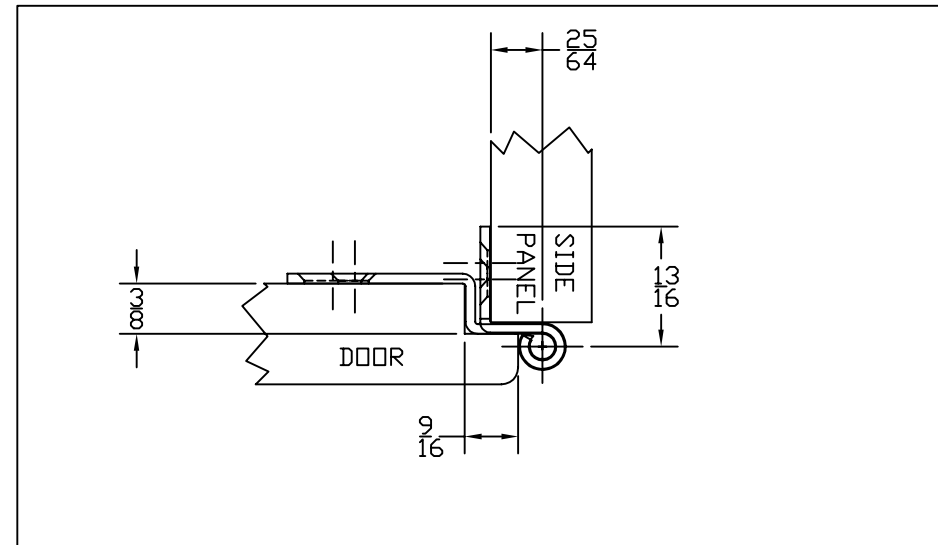
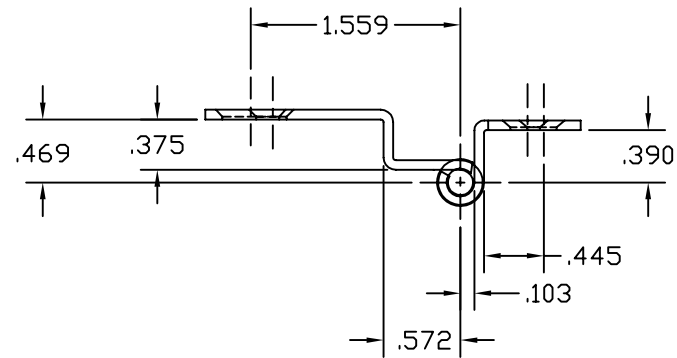
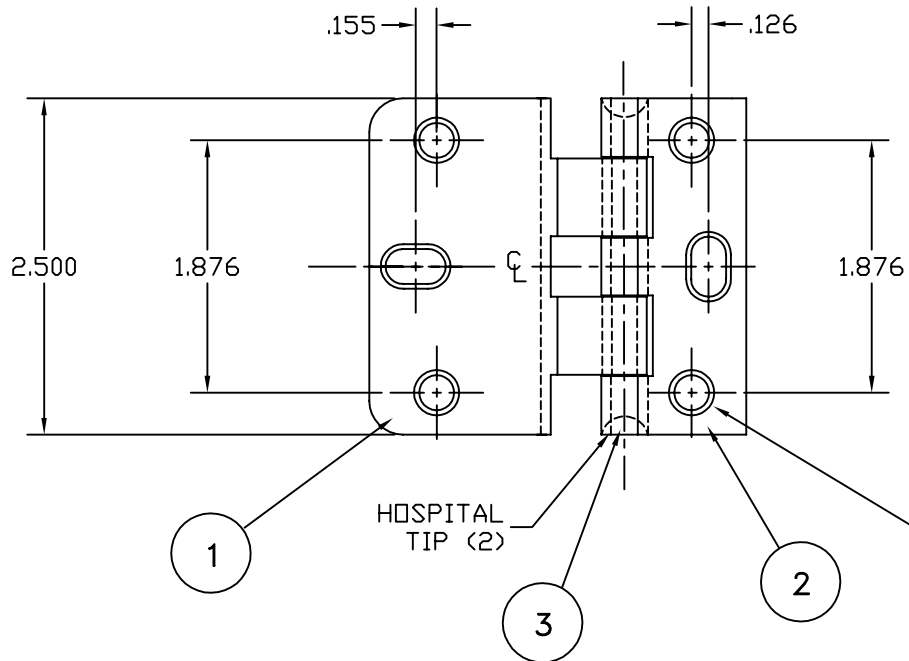


ITEM	QTY	BILL OF MATERIAL
1	1	WING, 2-PRONG
2	1	WING, 3-PRONG
3	1	PIN, KNURLED



APPLICATION DRAWING

CUSTOMER P/N (IF APPLICABLE)	REV.
------------------------------	------

THIS PRINT IS THE PROPERTY OF RPC AND ITS DUPLICATION, RETENTION OR TRANSMITTAL TO OTHERS IS PROHIBITED WITHOUT PRIOR CONSENT.

ECR#	REV.	DESCRIPTION	BY	DATE

MATERIAL	SEE B.O.M.	SCALE (SIZE)	1:1.5	SHT NO.	1	OF	1
FILENAME	349APP	CHKD BY	DATE	PART DESCRIPTION			
DRAWN BY	MAB	DATE	4/14/05	HINGE, LIPPED			
PART NUMBER				349-APP	REV.		