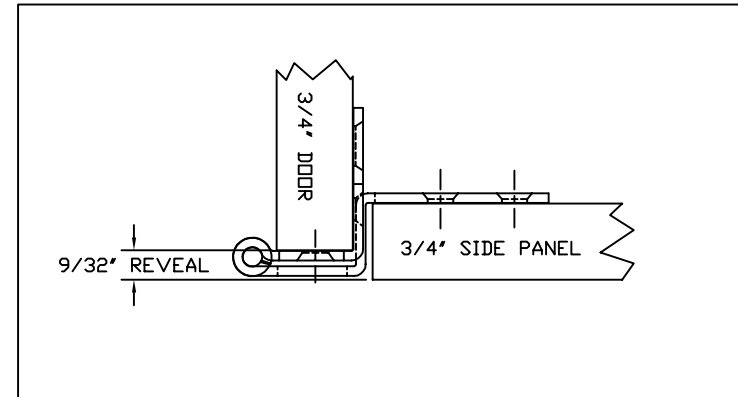
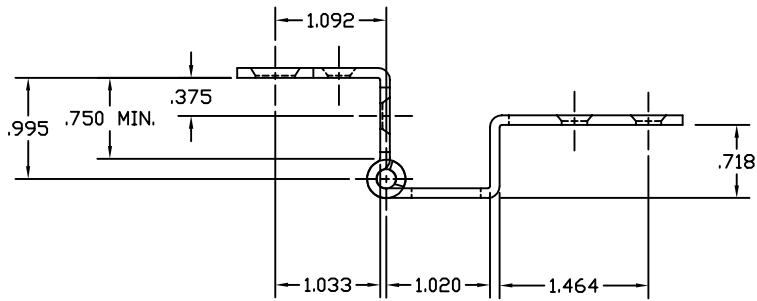
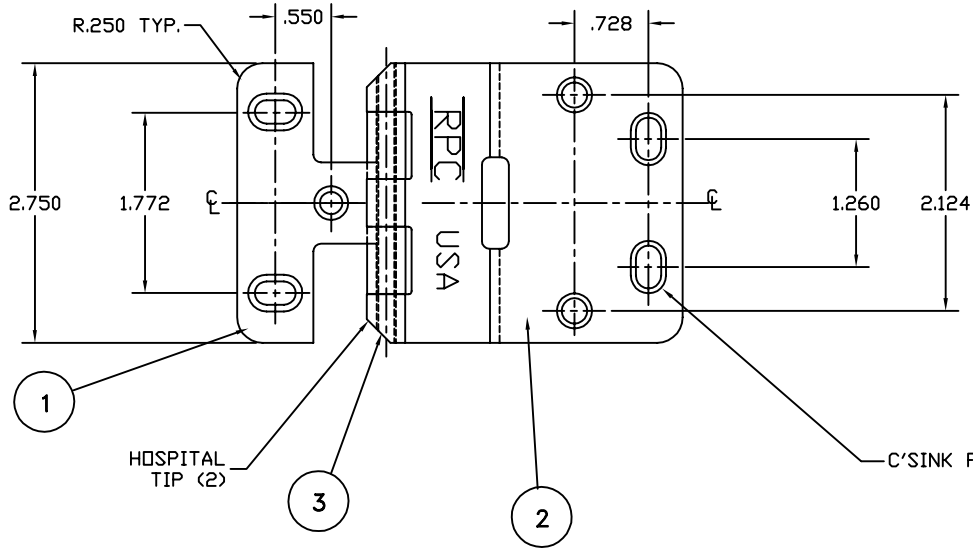


ITEM	QTY	BILL OF MATERIAL
1	1	WING, 2-PRONG
2	1	WING, 3-PRONG
3	1	PIN, KNURLED



# APPLICATION DRAWING

CUSTOMER P/N (IF APPLICABLE)	REV.
------------------------------	------

THIS PRINT IS THE PROPERTY OF RPC AND ITS DUPLICATION, RETENTION OR TRANSMITTAL TO OTHERS IS PROHIBITED WITHOUT PRIOR CONSENT.



ECR#	REV.	DESCRIPTION	BY	DATE

MATERIAL	SEE B.O.M.	SCALE (SIZE)	1:2	SHT NO.	1	OF	1
FILENAME	454APP	CHKD BY DATE		PART DESCRIPTION			
DRAWN BY	MAB	DATE	3/16/05	HINGE, OVERLAY 3/4" x 3/4"			
				PART NUMBER	454-APP	REV.	