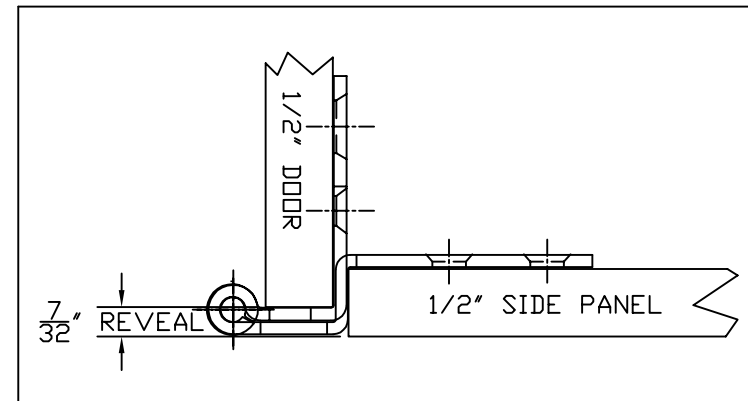
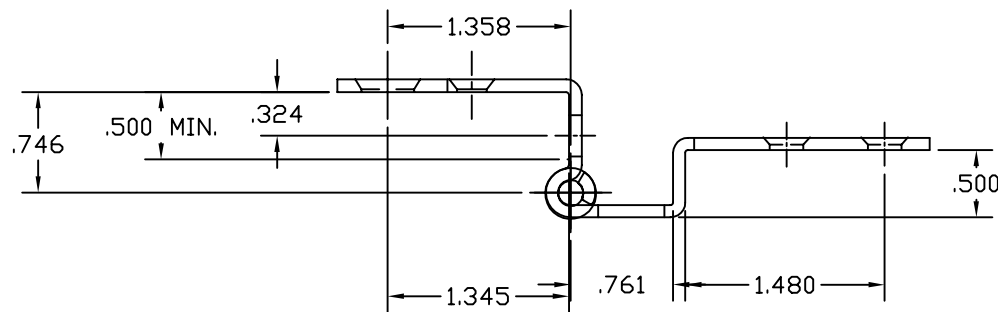
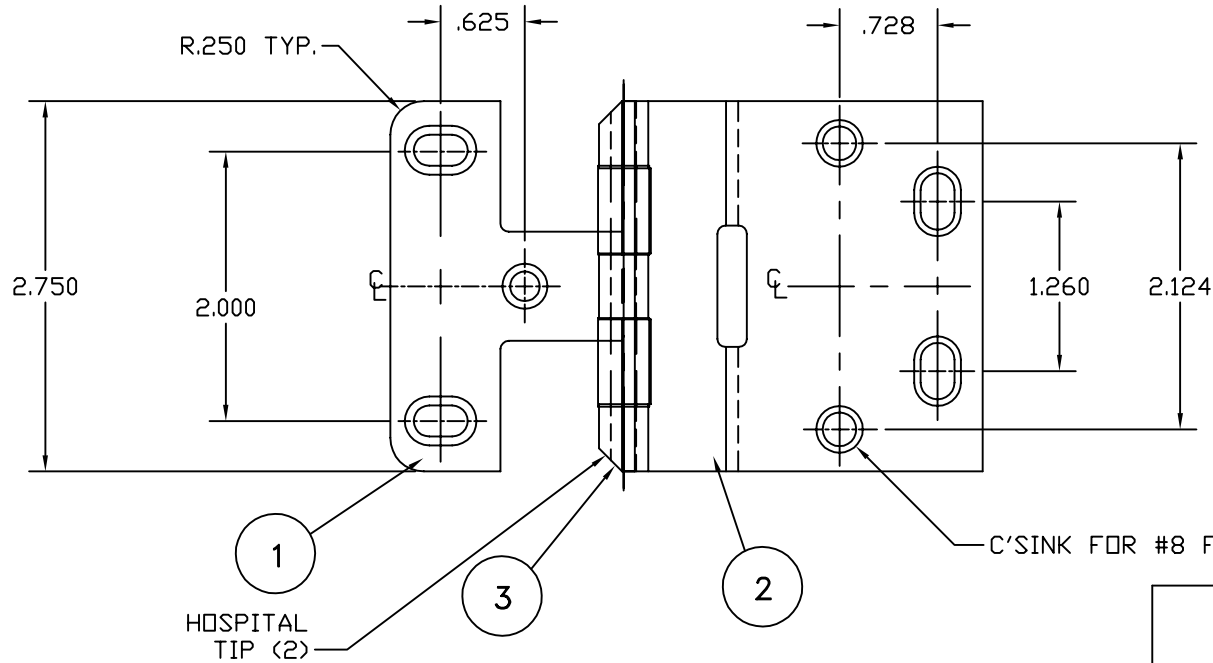


ITEM	QTY	BILL OF MATERIAL
1	1	WING, 2-PRONG
2	1	WING, 3-PRONG
3	1	PIN, KNURLED



APPLICATION DRAWING

CUSTOMER P/N (IF APPLICABLE)	REV.
------------------------------	------

THIS PRINT IS THE PROPERTY OF RPC AND ITS DUPLICATION, RETENTION OR TRANSMITTAL TO OTHERS IS PROHIBITED WITHOUT PRIOR CONSENT.



ECR#	REV.	DESCRIPTION	BY	DATE

MATERIAL	SCALE (SIZE)	SHT NO.	OF
SEE B.O.M.	1:1.5		
FILENAME	MAT'L WT (LBS/EA)	PART DESCRIPTION	
8314SAPP		HINGE, OVERLAY, 1/2" X 1/2"	
DRAWN BY	DATE	PART NUMBER	REV.
MAB	3/21/05	8314S-APP	